

RUBBER HOOK (NORDIC COLOUR)

TEST METHOD 4



PXB-GN

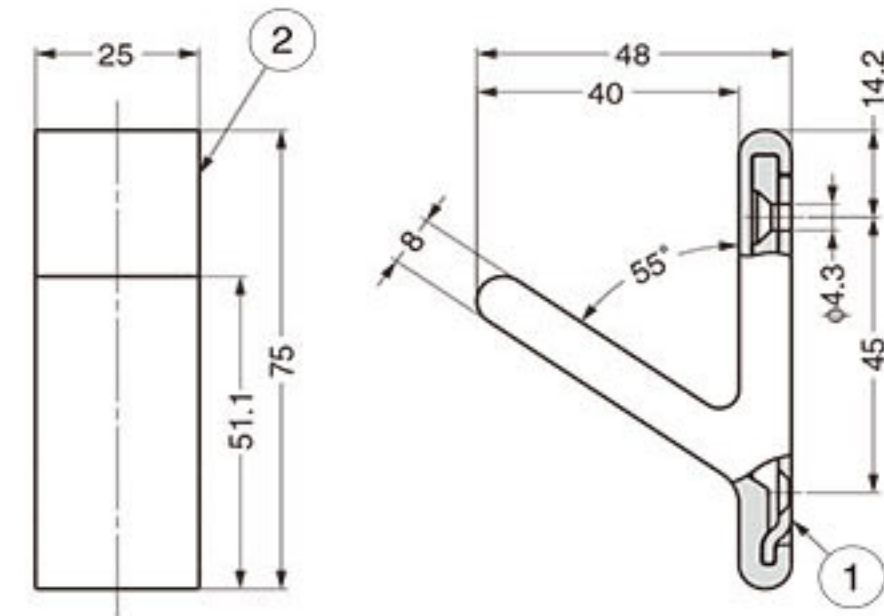


Features

- Simple and safe design.
- Base made of SUS304 provides high-durability.
- Designed to fit in all kinds of interior.

Parts Included

Countersunk head tapping screw 4x30



No.	Part Name	Material	Finish
①	Base	Stainless Steel (SUS304)	Plain
②	Cover	Silicone Rubber (Q)	Plain

Item Code	Item Name	Colour	Load Capacity		Weight	Box	Carton
110-033-279	PXB-GN05-111-DG	Dark Grey	78.4 N	8 kgf	85 g	10 pcs	100 pcs
110-033-278	PXB-GN05-111-BR	Brown			85 g	10 pcs	100 pcs
110-033-277	PXB-GN05-111-BE	Beige			85 g	10 pcs	100 pcs

